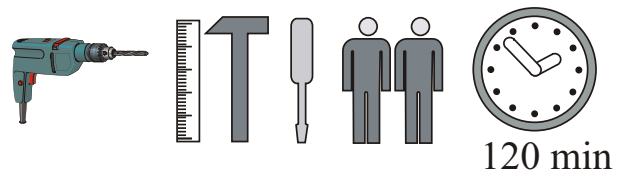
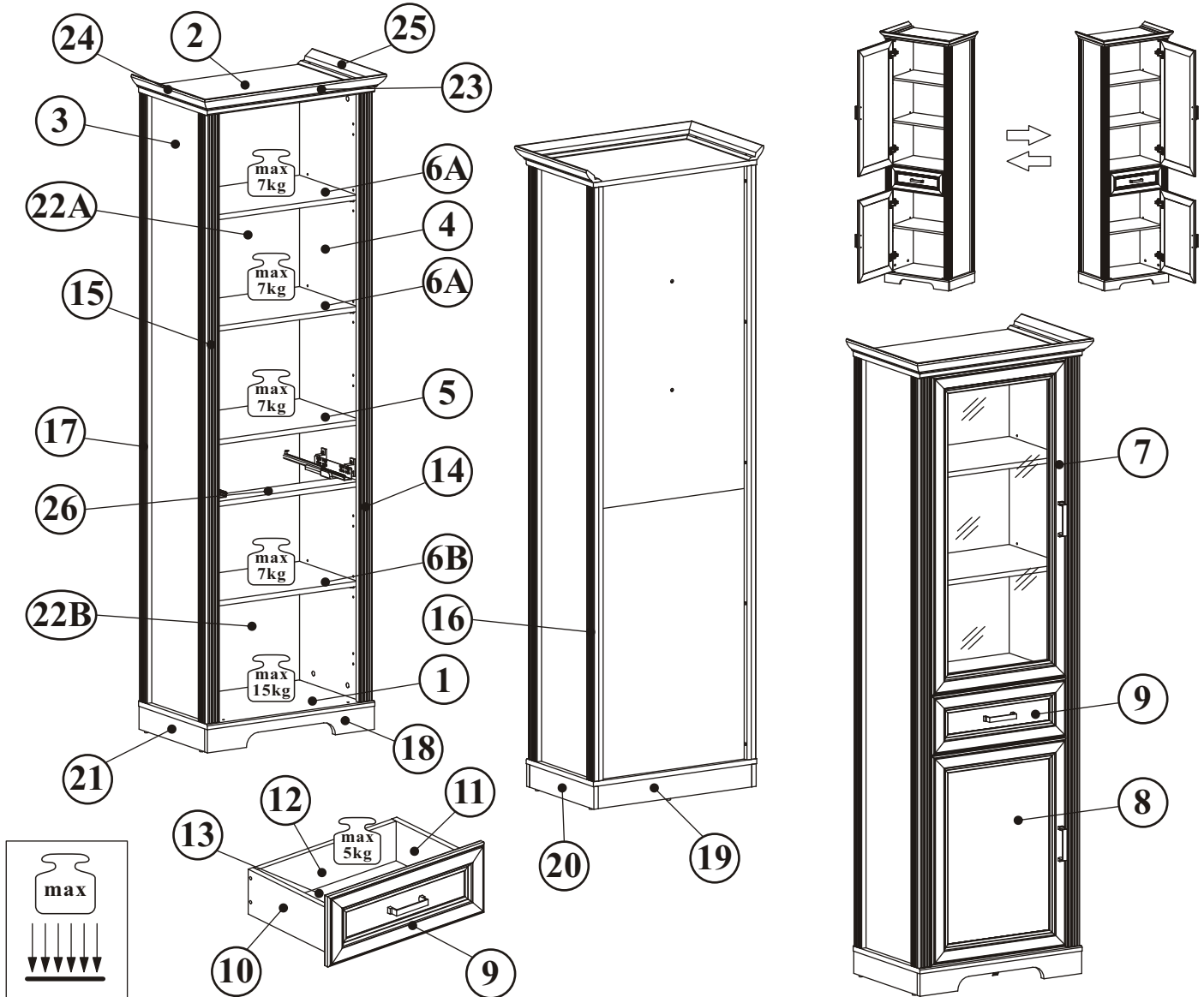


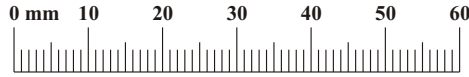
# JASMIN 10G9\_02



120 min

| NO    | Dim. |     | Col.-No | Qty |
|-------|------|-----|---------|-----|
| 1     | 602  | 386 | 1       | 1   |
| 2     | 603  | 386 | 1       | 1   |
| 3     | 1890 | 359 | 2       | 1   |
| 4     | 1890 | 359 | 2       | 1   |
| 5     | 530  | 339 | 1       | 1   |
| 6A/6B | 530  | 324 | 3       | 3   |
| 7     | 1020 | 496 | 1       | 2   |
| 8     | 668  | 496 | 1       | 1   |
| 9     | 496  | 188 | 1       | 1   |
| 10    | 300  | 120 | 1       | 1   |
| 11    | 300  | 120 | 1       | 1   |
| 12    | 440  | 106 | 1       | 1   |
| 13    | 304  | 452 | 1       | 1   |

| NO  | Dim.  |     | Col.-No | Qty |
|-----|-------|-----|---------|-----|
| 14  | 1890  | 49  | 2       | 1   |
| 15  | 1890  | 49  | 2       | 1   |
| 16  | 1890  | 43  | 2       | 1   |
| 17  | 1890  | 43  | 2       | 1   |
| 18  | 600   | 72  | 1       | 1   |
| 19  | 566   | 72  | 1       | 1   |
| 20  | 369   | 72  | 1       | 1   |
| 21  | 369   | 72  | 1       | 1   |
| 22A | 1031  | 542 | 1       | 1   |
| 22B | 871   | 542 | 1       | 1   |
| 23  | 654,7 | 67  | 2       | 1   |
| 24  | 412,4 | 67  | 2       | 1   |
| 25  | 412,4 | 67  | 2       | 1   |
| 26  | 530   | 80  | 1       | 1   |



|    |  |     |  |
|----|--|-----|--|
| H1 |  | OS3 |  |
| x4 |  | x2  |  |

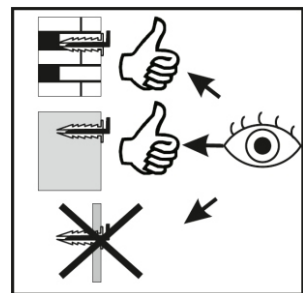
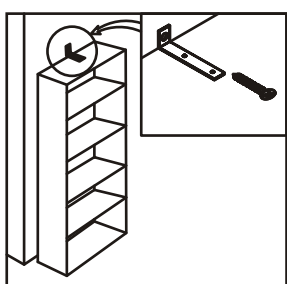
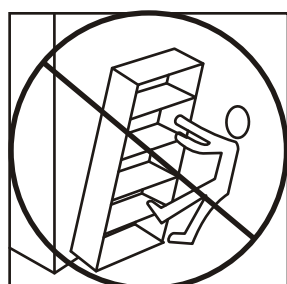
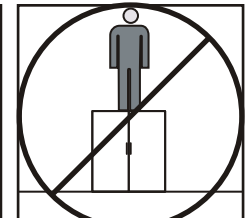
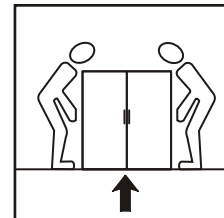
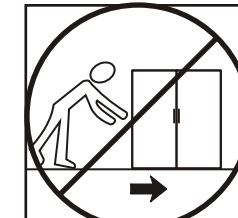
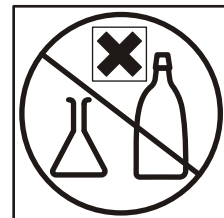
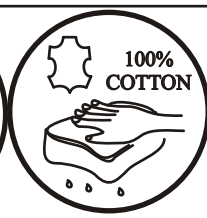
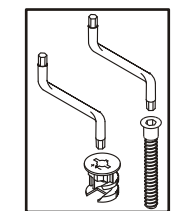
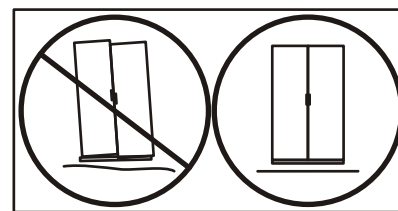
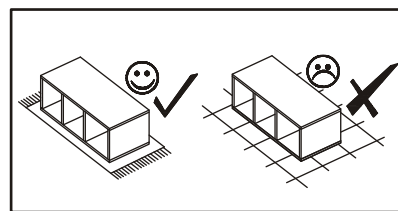
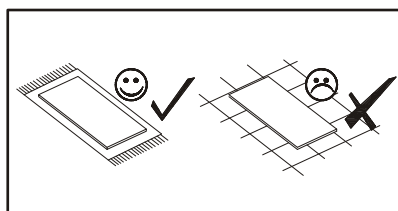
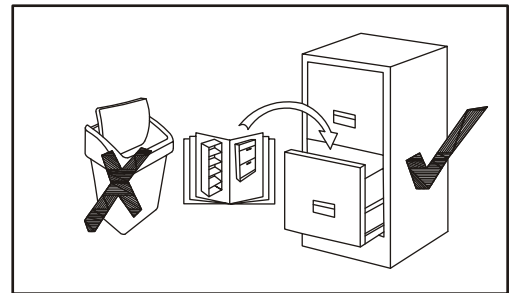
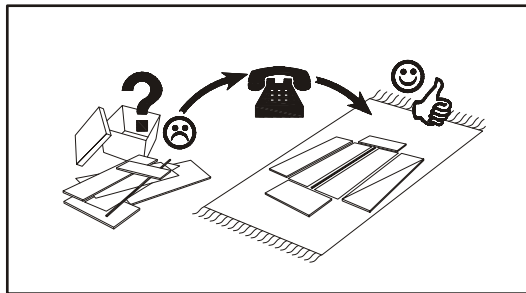
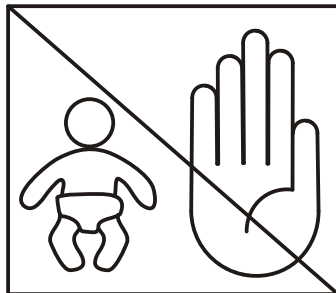
|     |       |     |  |     |        |     |  |     |  |    |  |
|-----|-------|-----|--|-----|--------|-----|--|-----|--|----|--|
| A1  |       | B4  |  | B5  |        | G5  |  | G7  |  | G2 |  |
| x30 | ø8x36 | x26 |  | x26 | ø15x12 | x26 |  | x12 |  | x1 |  |

|     |  |     |      |     |     |     |    |    |  |     |  |
|-----|--|-----|------|-----|-----|-----|----|----|--|-----|--|
| S1  |  | E17 |      | E13 |     | Z2  |    | L1 |  | KR1 |  |
| x18 |  | x4  | H=16 | x4  | H=2 | x10 | ø5 | x1 |  | x1  |  |

|     |           |     |           |      |         |     |            |    |       |    |  |
|-----|-----------|-----|-----------|------|---------|-----|------------|----|-------|----|--|
| EK8 |           | D10 |           | UP13 |         | D20 |            | QU |       | I2 |  |
| x8  | EKØ6,3x24 | x12 | USØ3,5x13 | x8   | UPØ3x16 | x4  | ESØ6,3x9,5 | x1 | L-300 | x5 |  |

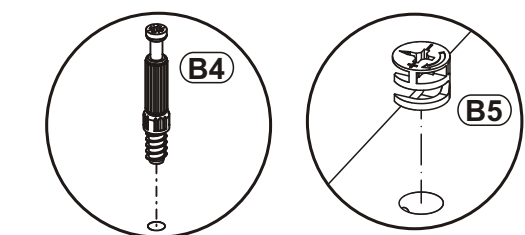
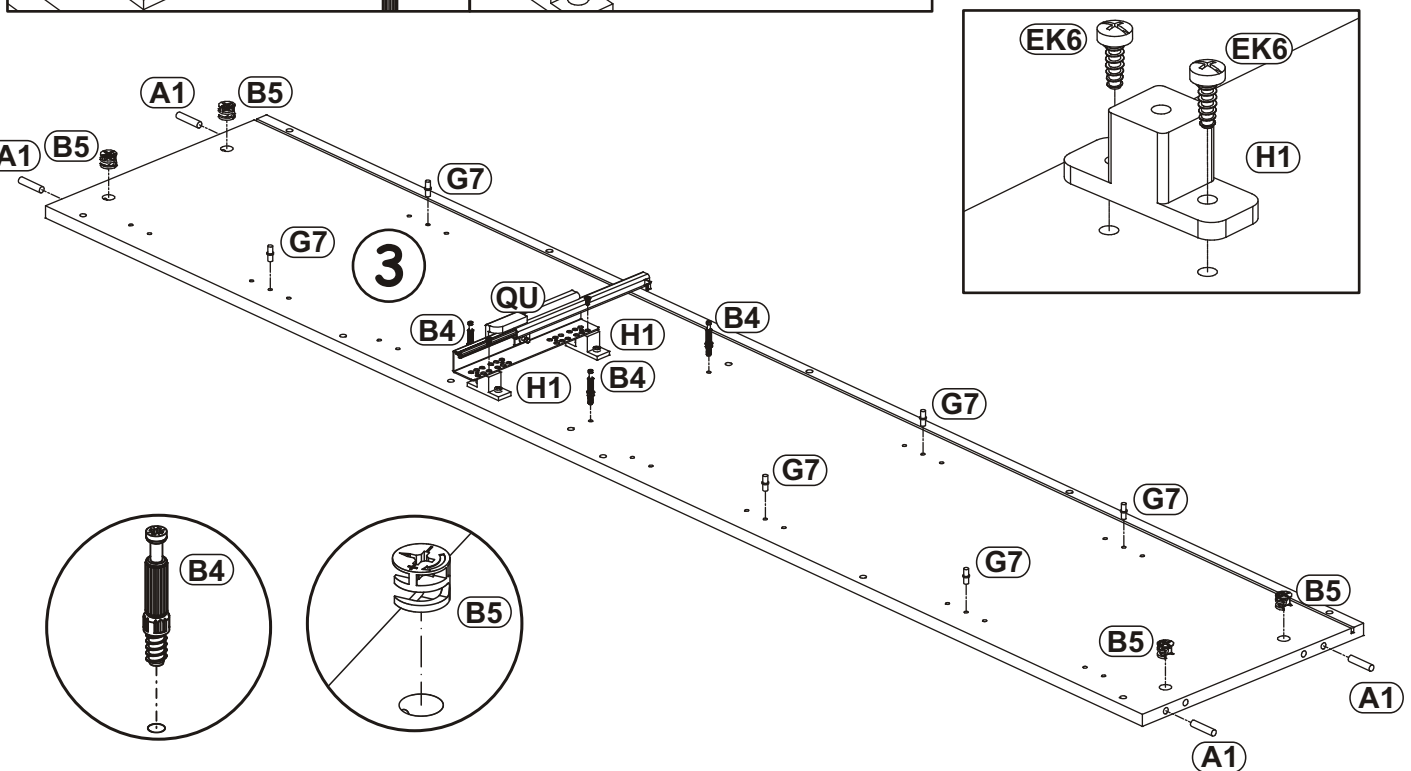
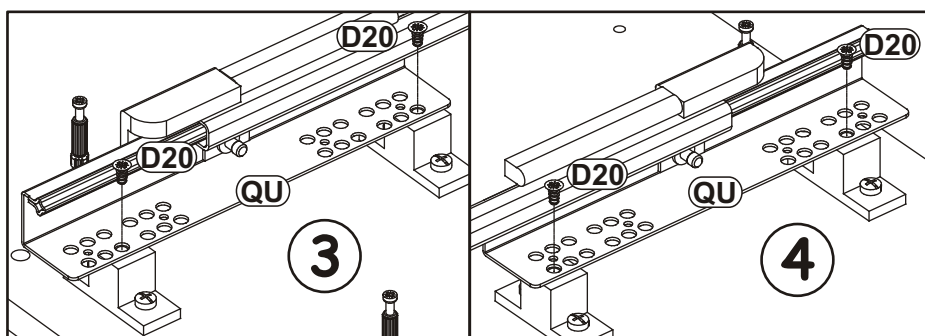
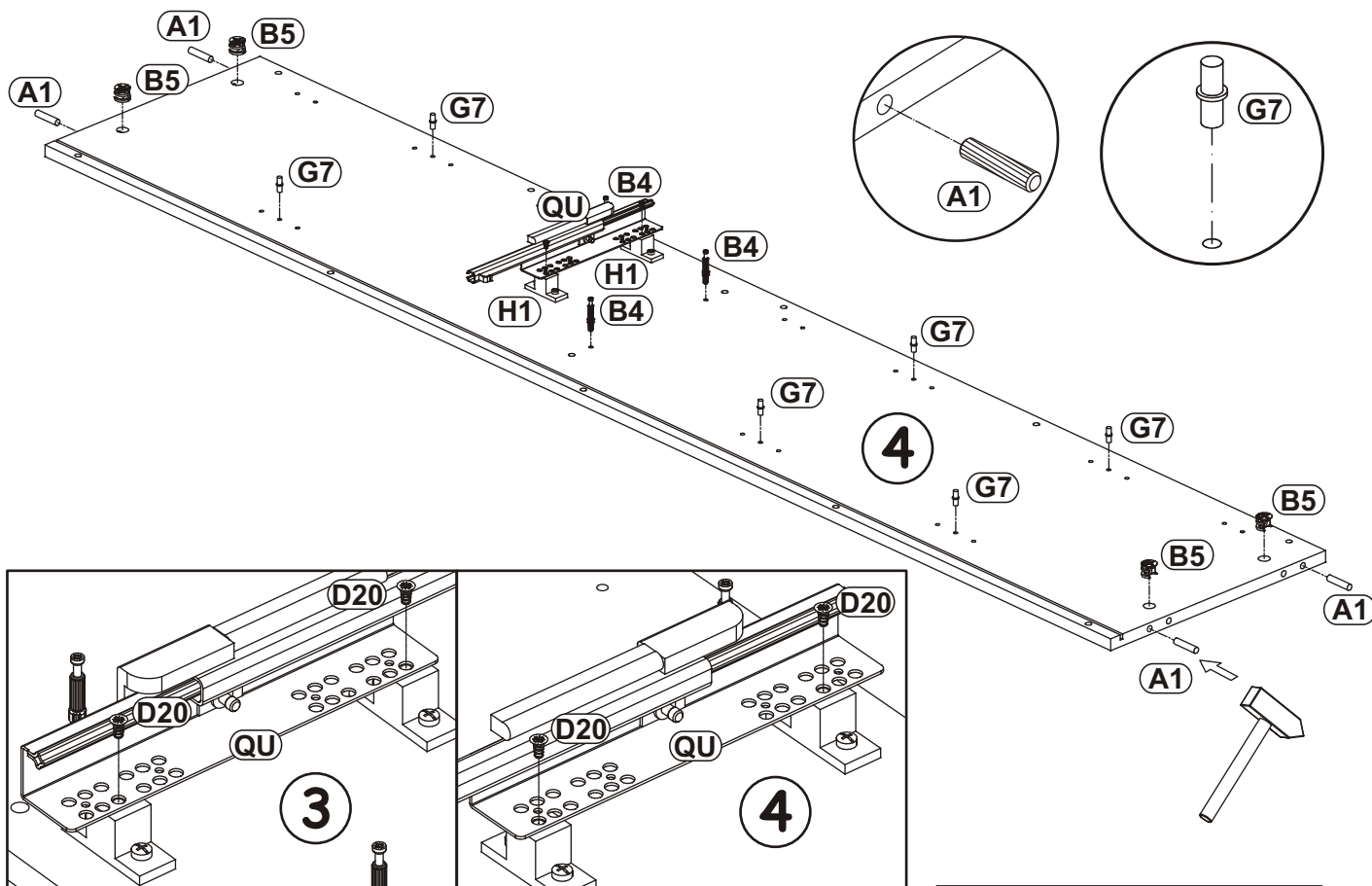
|     |       |     |       |     |  |     |  |     |  |    |      |
|-----|-------|-----|-------|-----|--|-----|--|-----|--|----|------|
| B11 |       | B14 |       | G4  |  | KM1 |  | G16 |  | E0 |      |
| x4  | Ø7x50 | x20 | Ø7x30 | x24 |  | x1  |  | x4  |  | x4 | H=11 |

|     |  |     |       |    |       |     |           |    |         |     |  |
|-----|--|-----|-------|----|-------|-----|-----------|----|---------|-----|--|
| C19 |  | D16 |       | D4 |       | EK6 |           | D9 |         | G20 |  |
| x3  |  | x2  | M4x16 | x4 | M4x30 | x8  | EKØ6,3x13 | x6 | USØ3x20 | x2  |  |

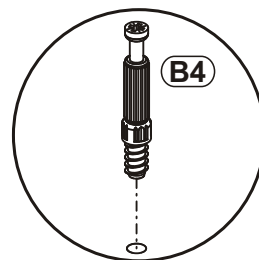
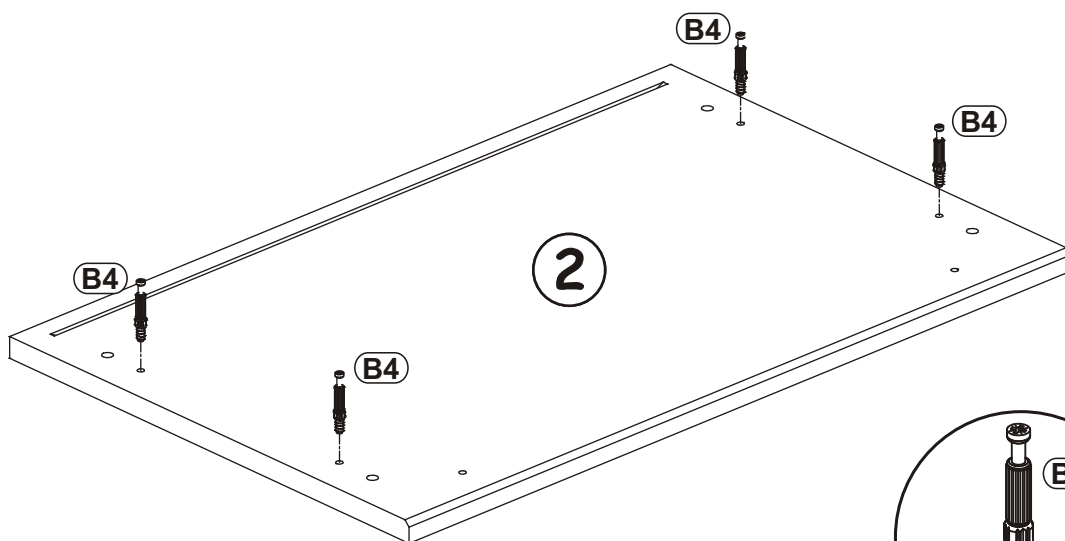
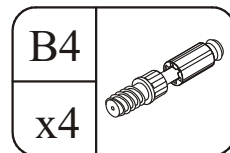


1

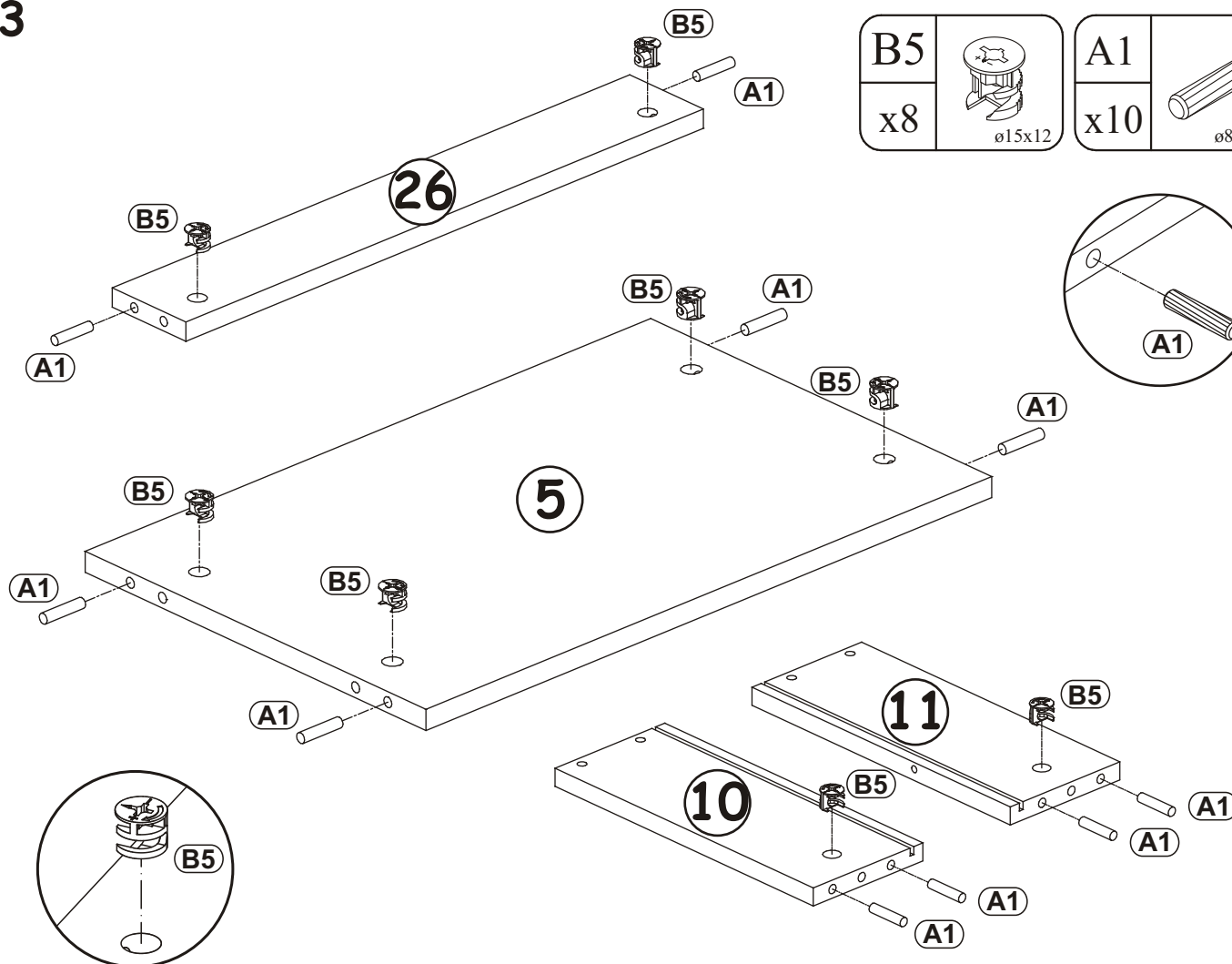
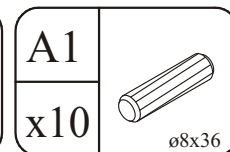
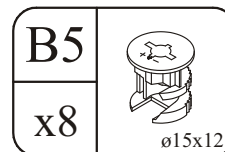
|           |  |                         |  |                    |  |                   |  |
|-----------|--|-------------------------|--|--------------------|--|-------------------|--|
| H1<br>x4  |  | QU<br>x1<br>L-300       |  | B5<br>x8<br>ø15x12 |  | G7<br>x12         |  |
| EK6<br>x8 |  | D20<br>x4<br>ESØ6,3x9,5 |  | B4<br>x6           |  | A1<br>x8<br>ø8x36 |  |



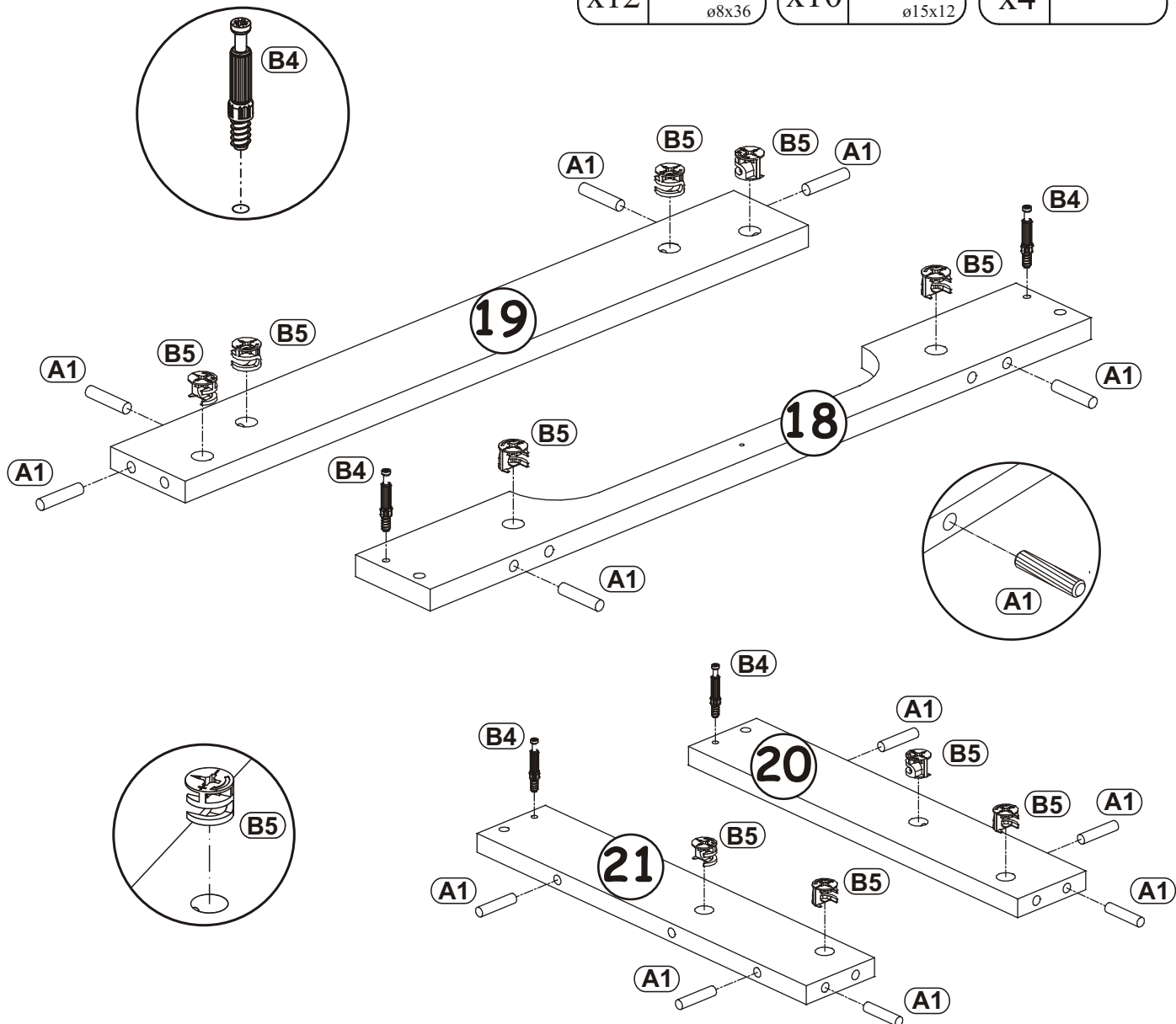
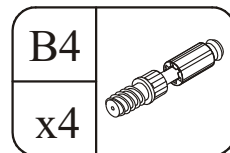
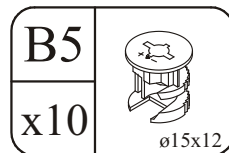
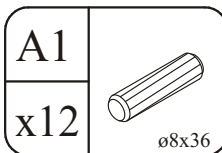
2



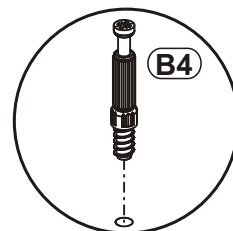
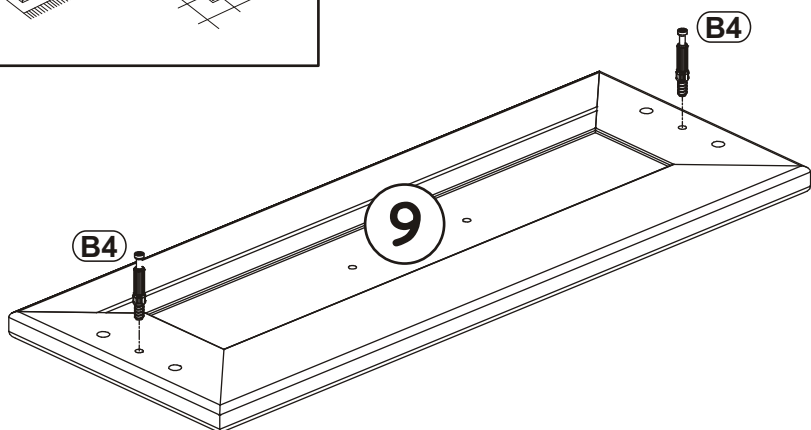
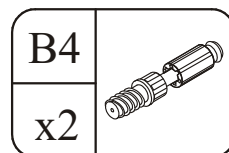
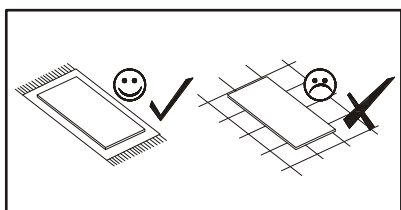
3



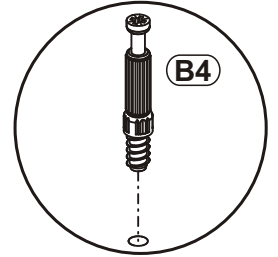
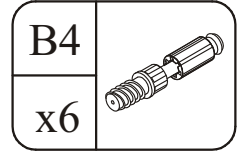
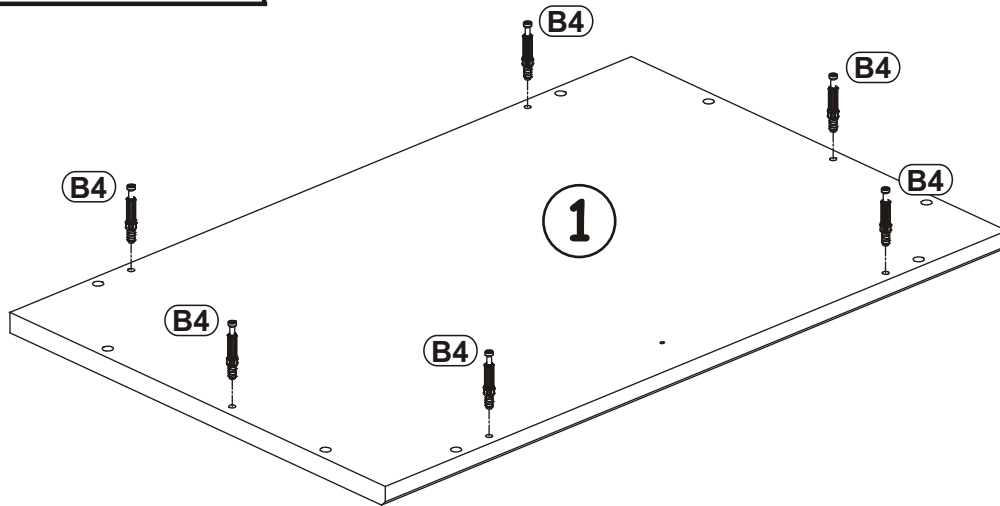
4



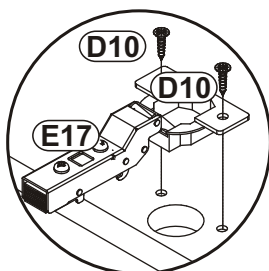
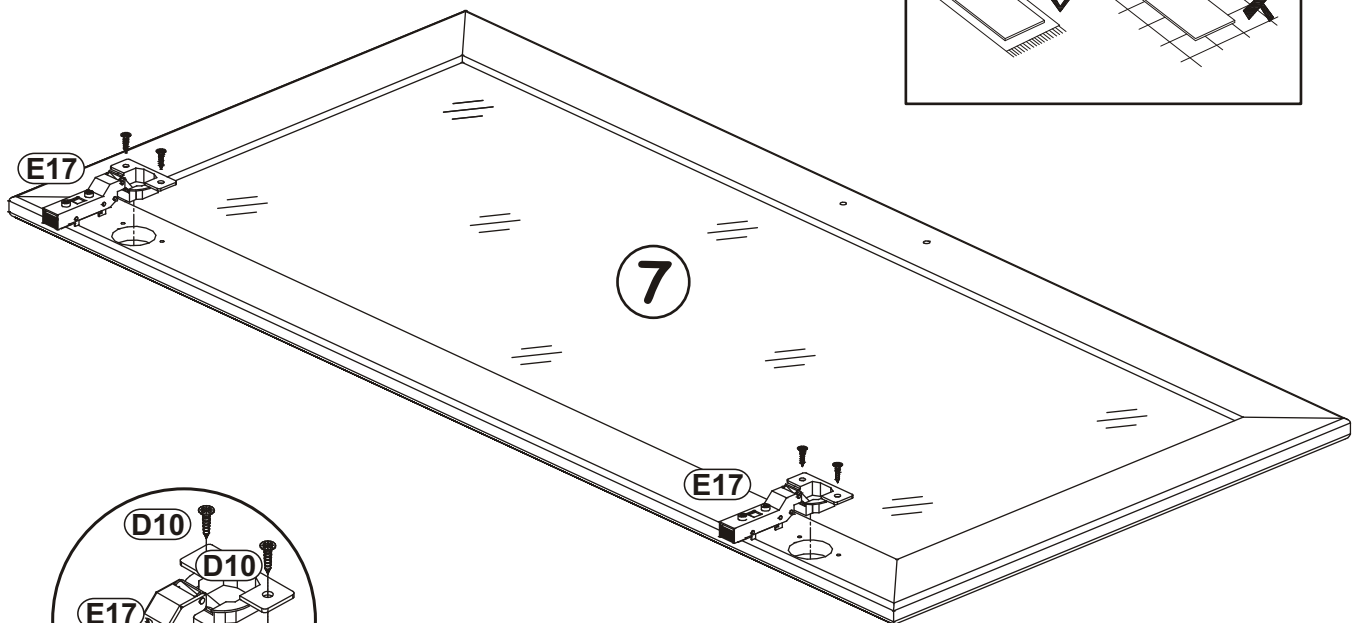
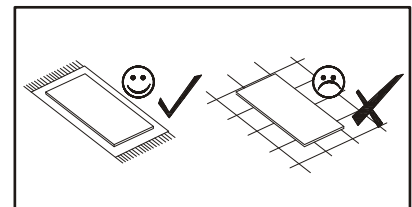
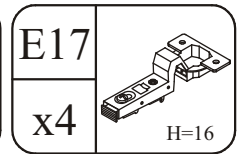
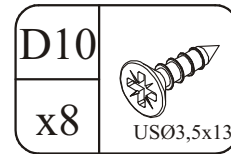
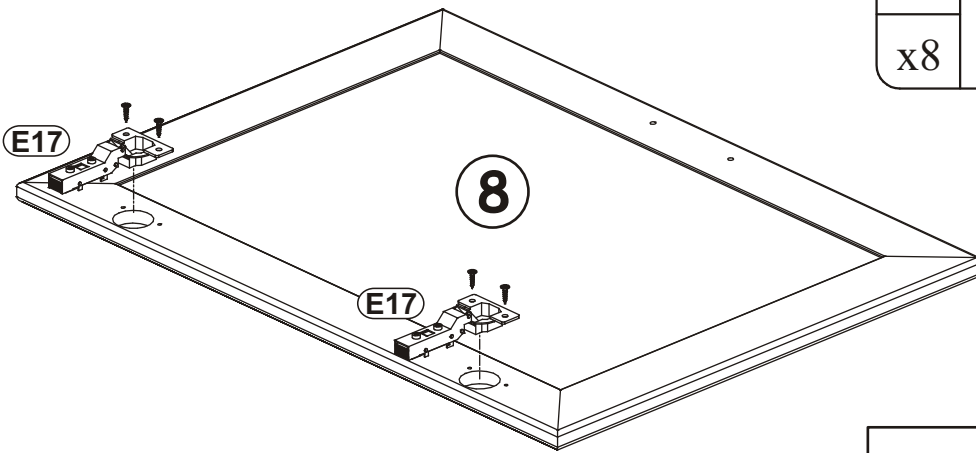
5



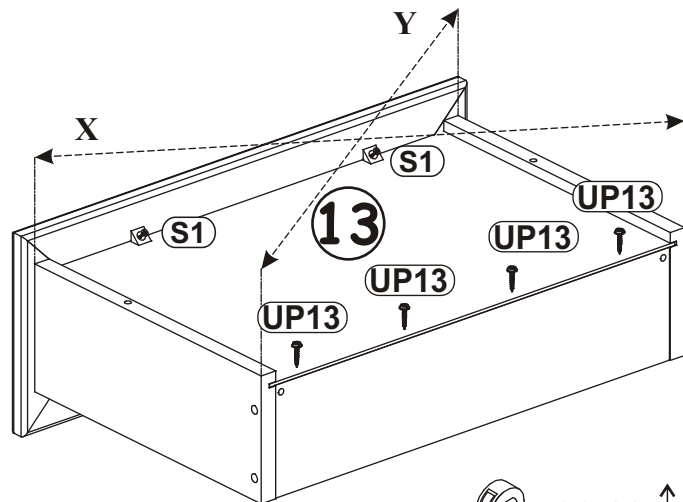
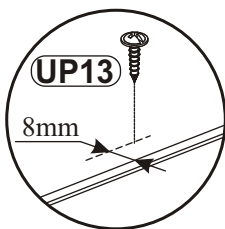
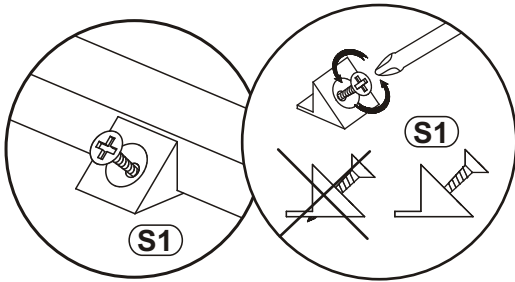
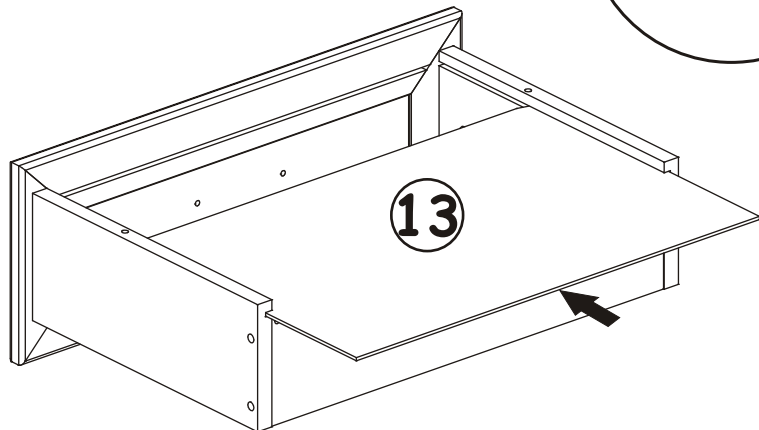
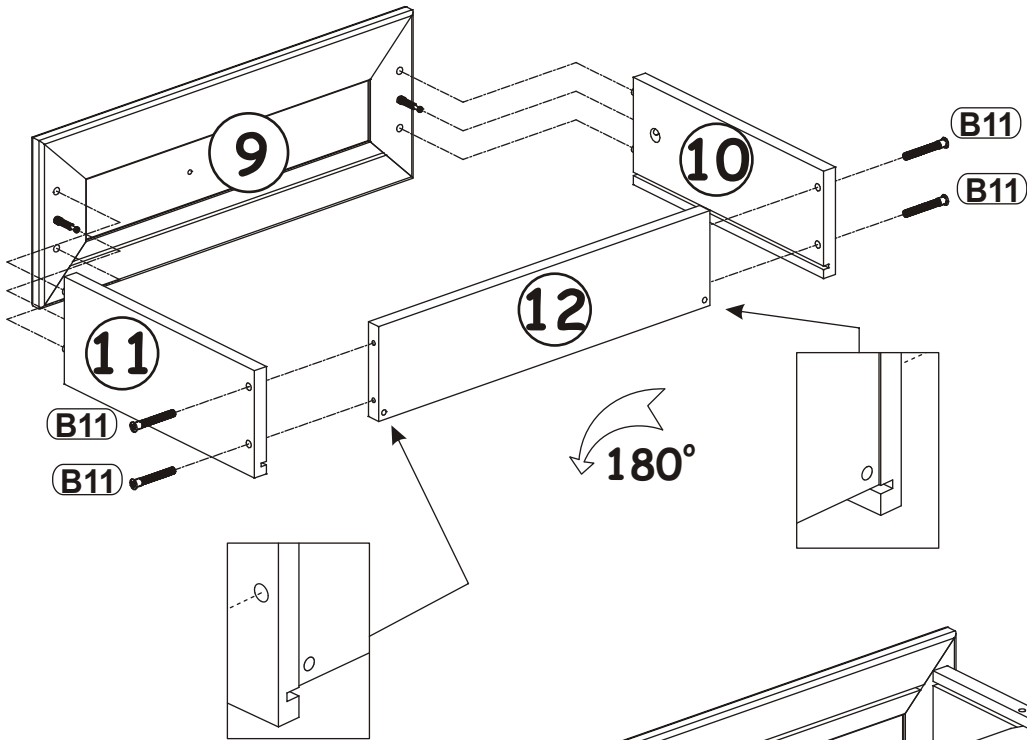
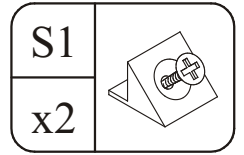
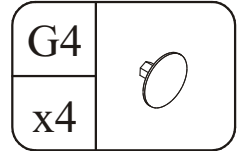
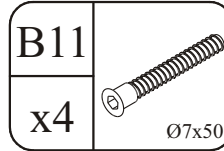
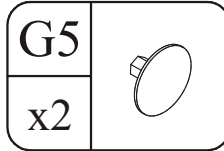
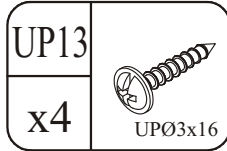
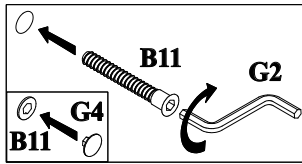
6



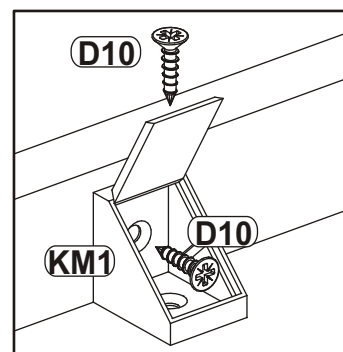
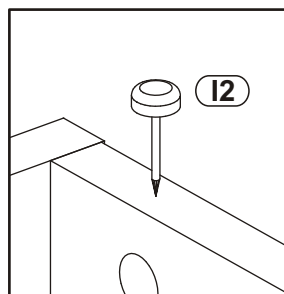
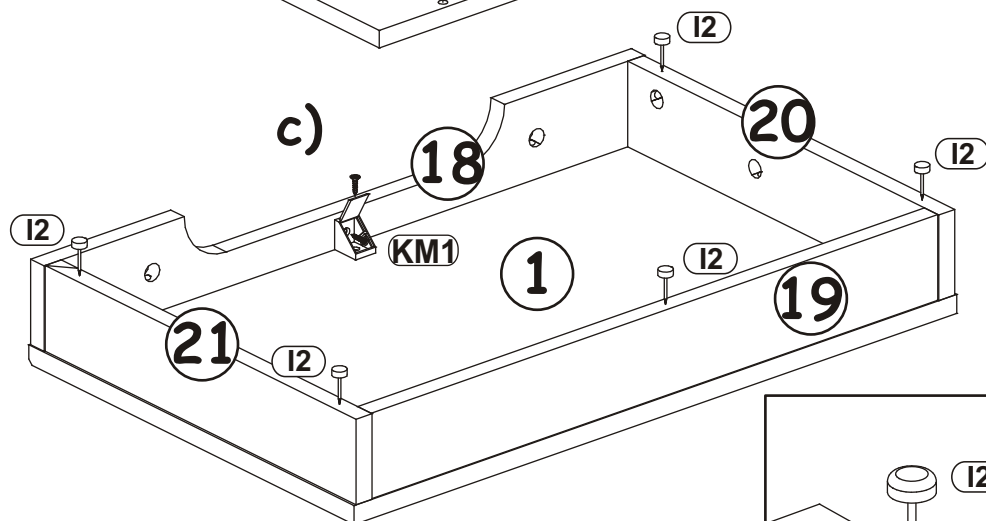
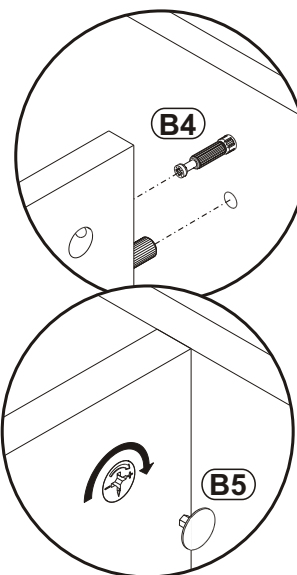
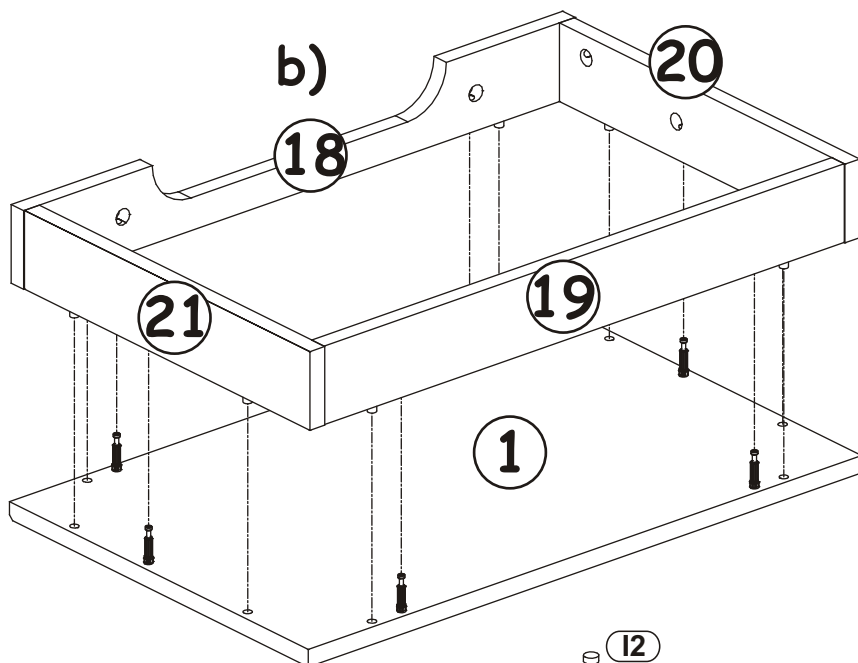
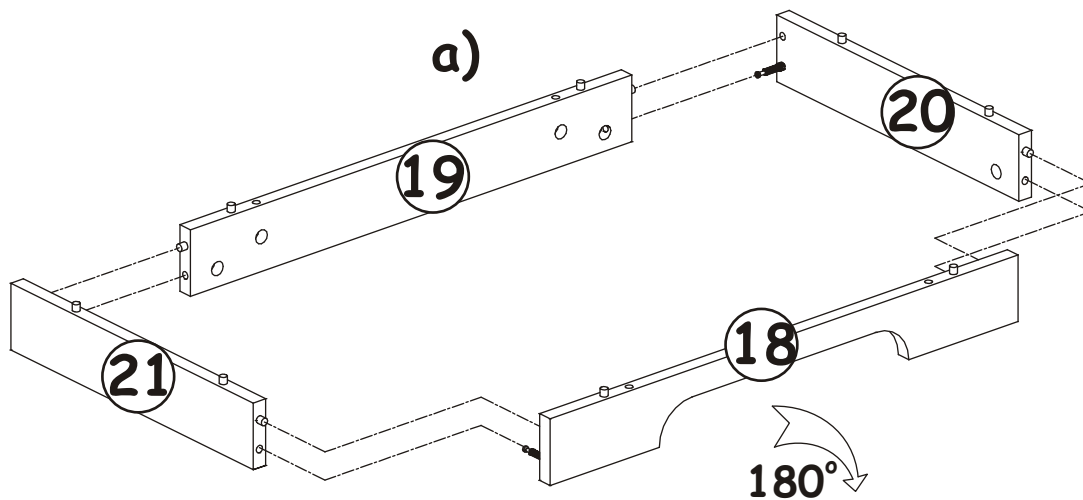
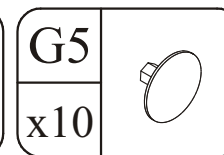
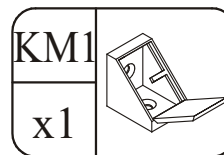
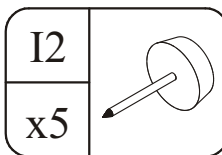
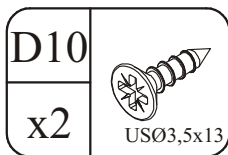
7



8



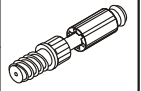
9



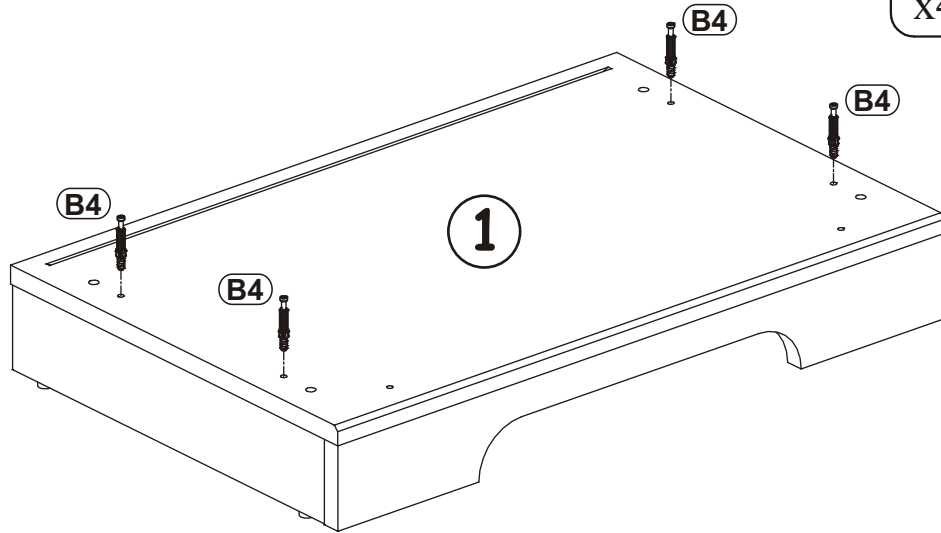
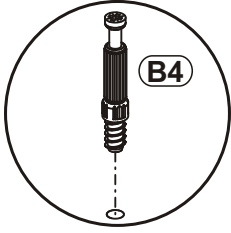


B4

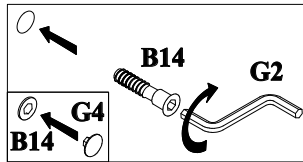
x4



10



11



B14

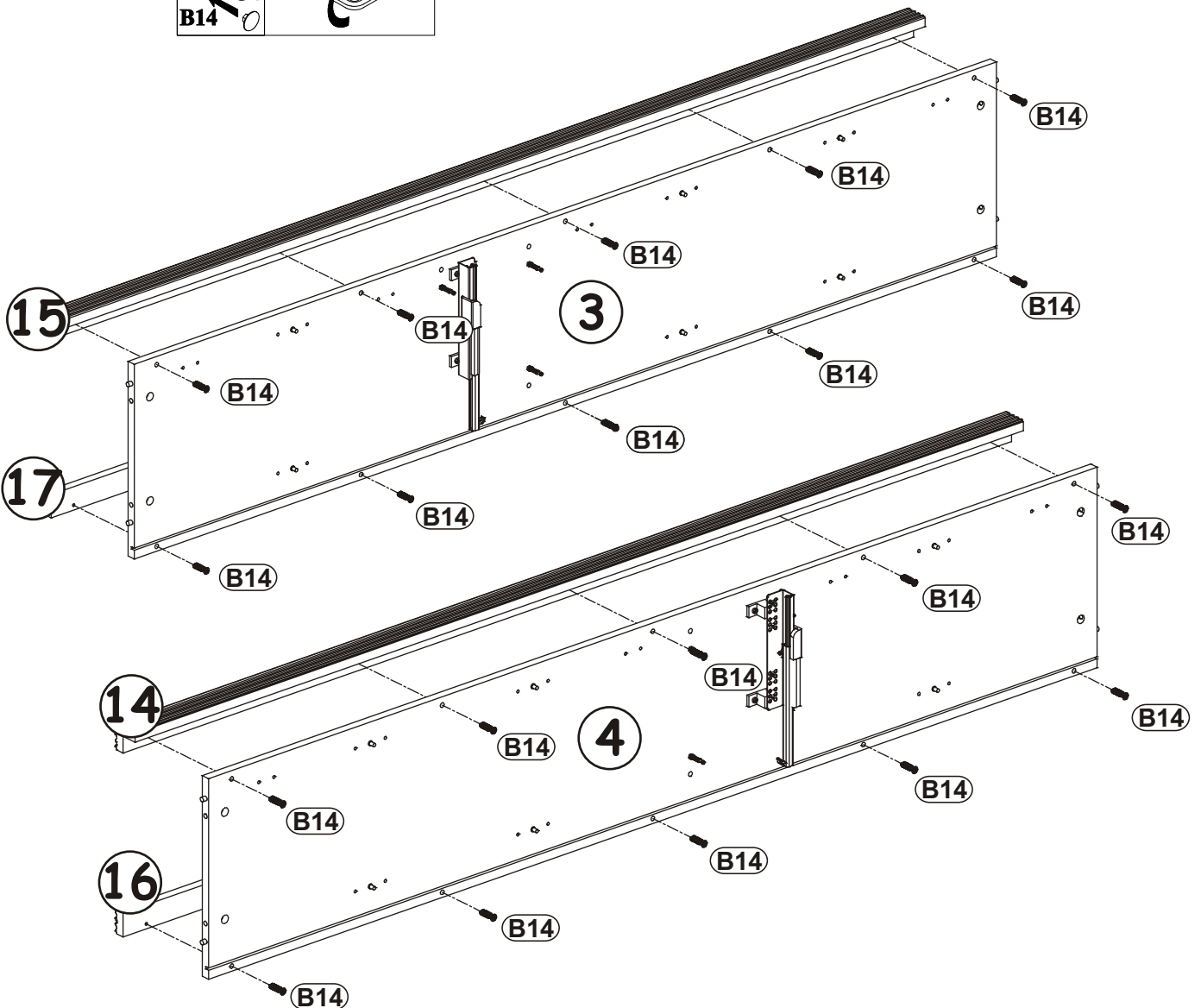
x20



Ø7x30

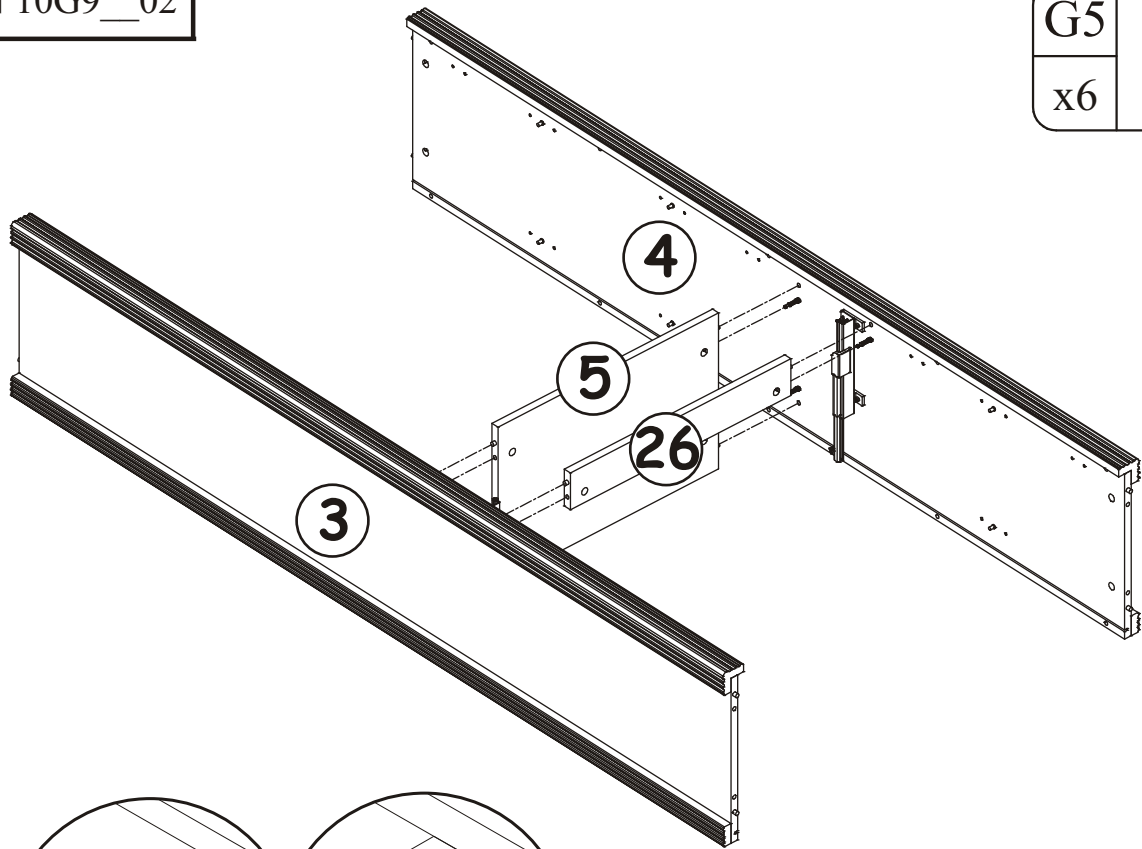
G4

x20

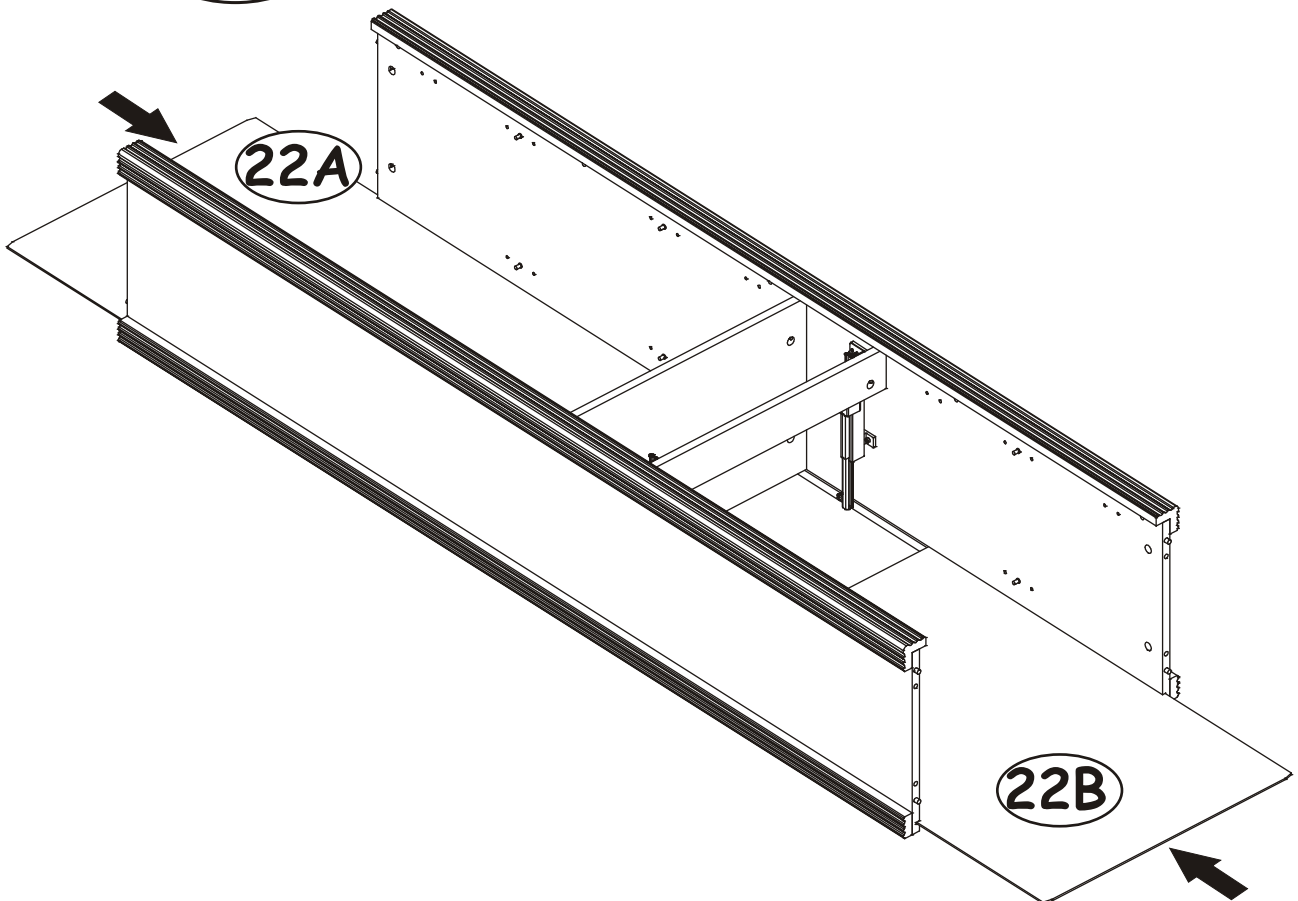
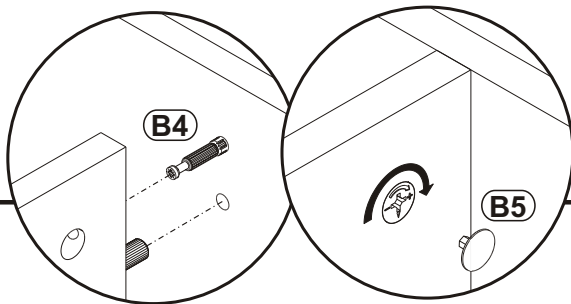





12

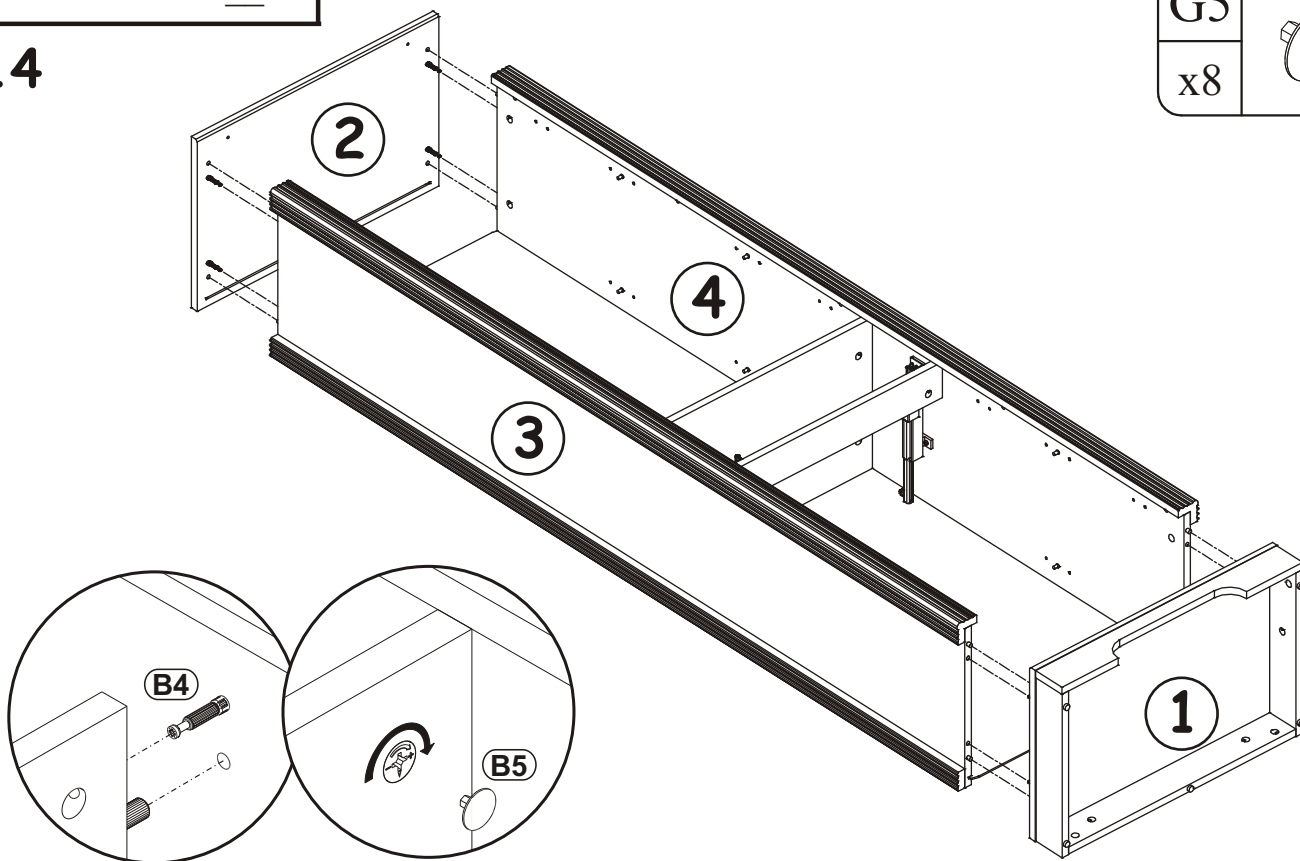


13



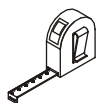
14


|    |   |
|----|---|
| G5 |  |
| x8 |   |

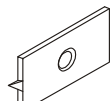


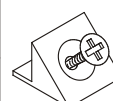
15

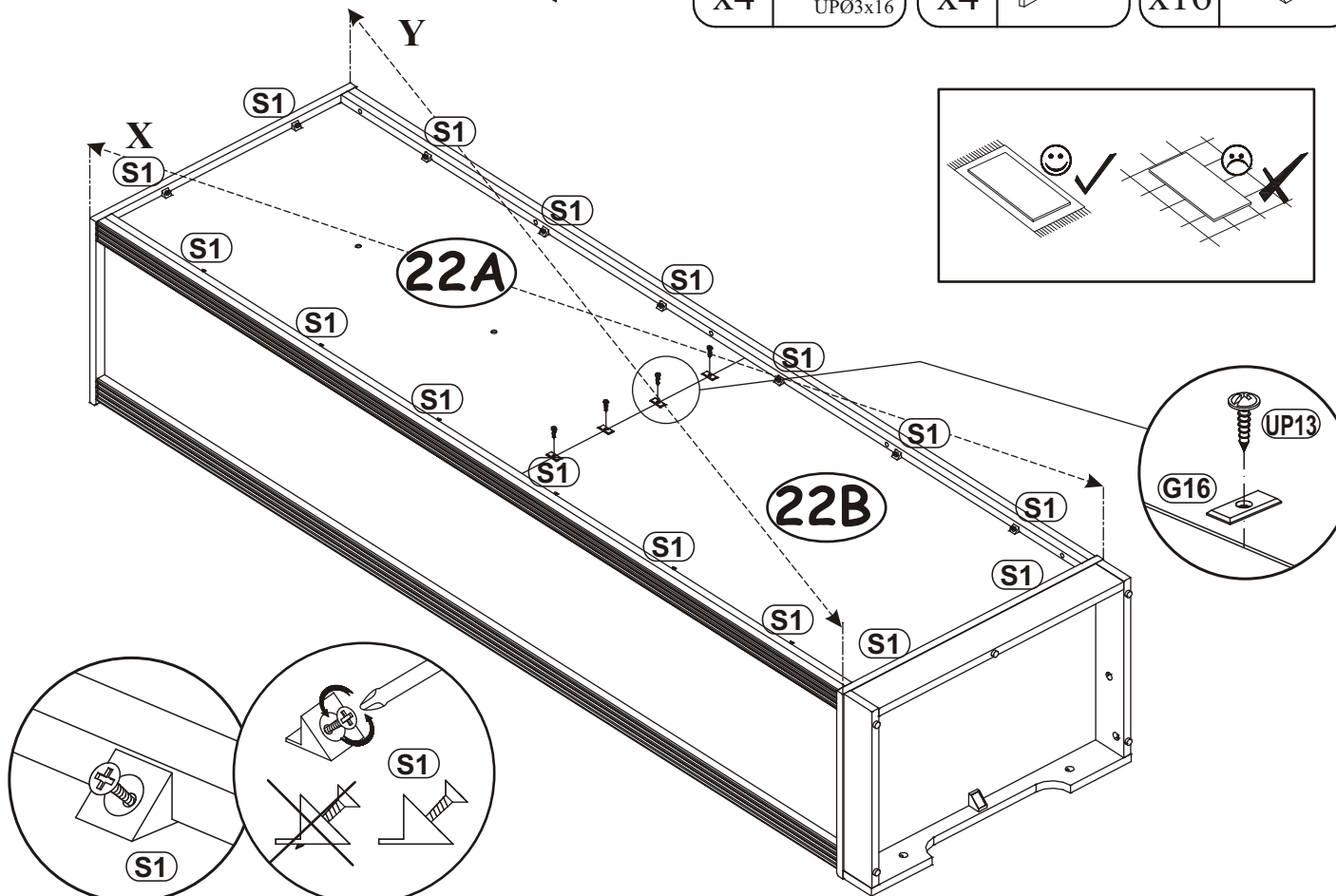
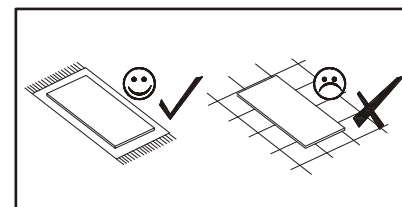
$X=Y$   $90^\circ$



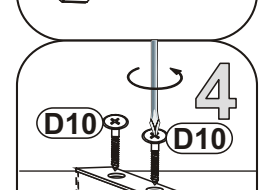
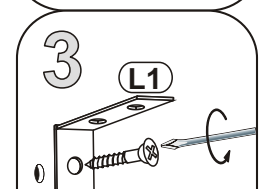
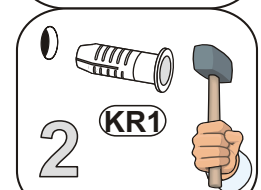
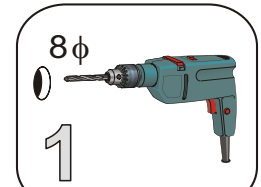
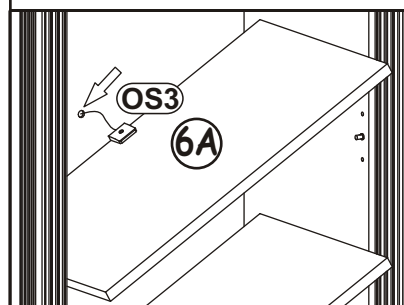
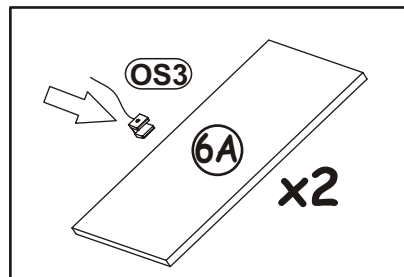
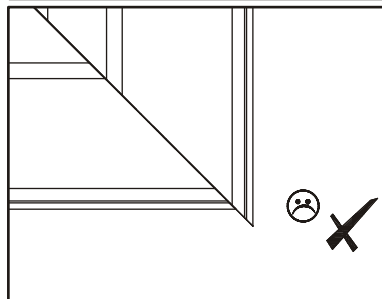
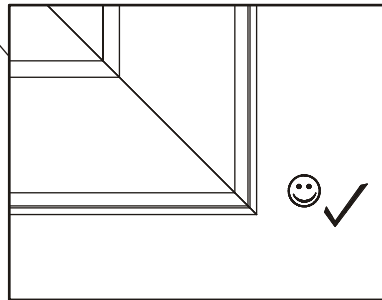
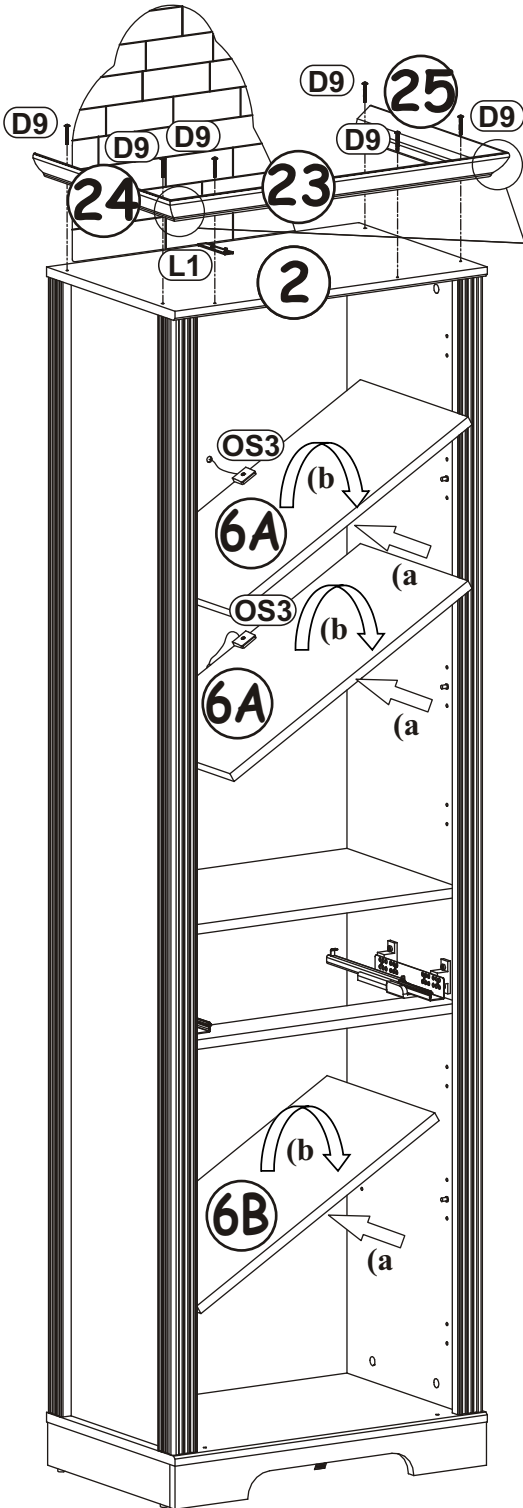
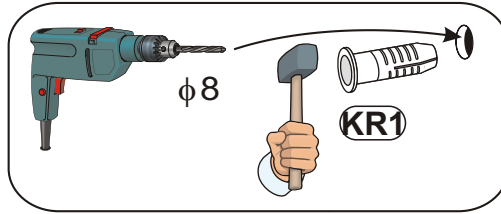
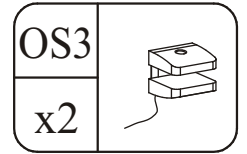
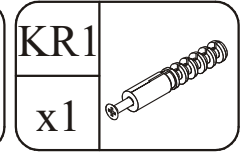
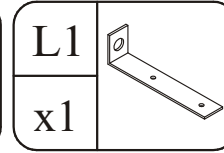
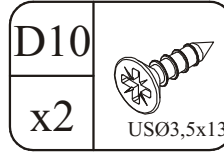
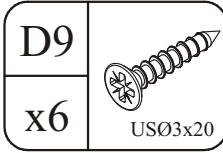
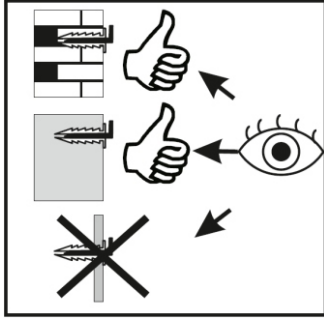
|      |  |
|------|--|
| UP13 |  |
| x4   | UPØ3x16  |

|     |   |
|-----|---|
| G16 |  |
| x4  |   |

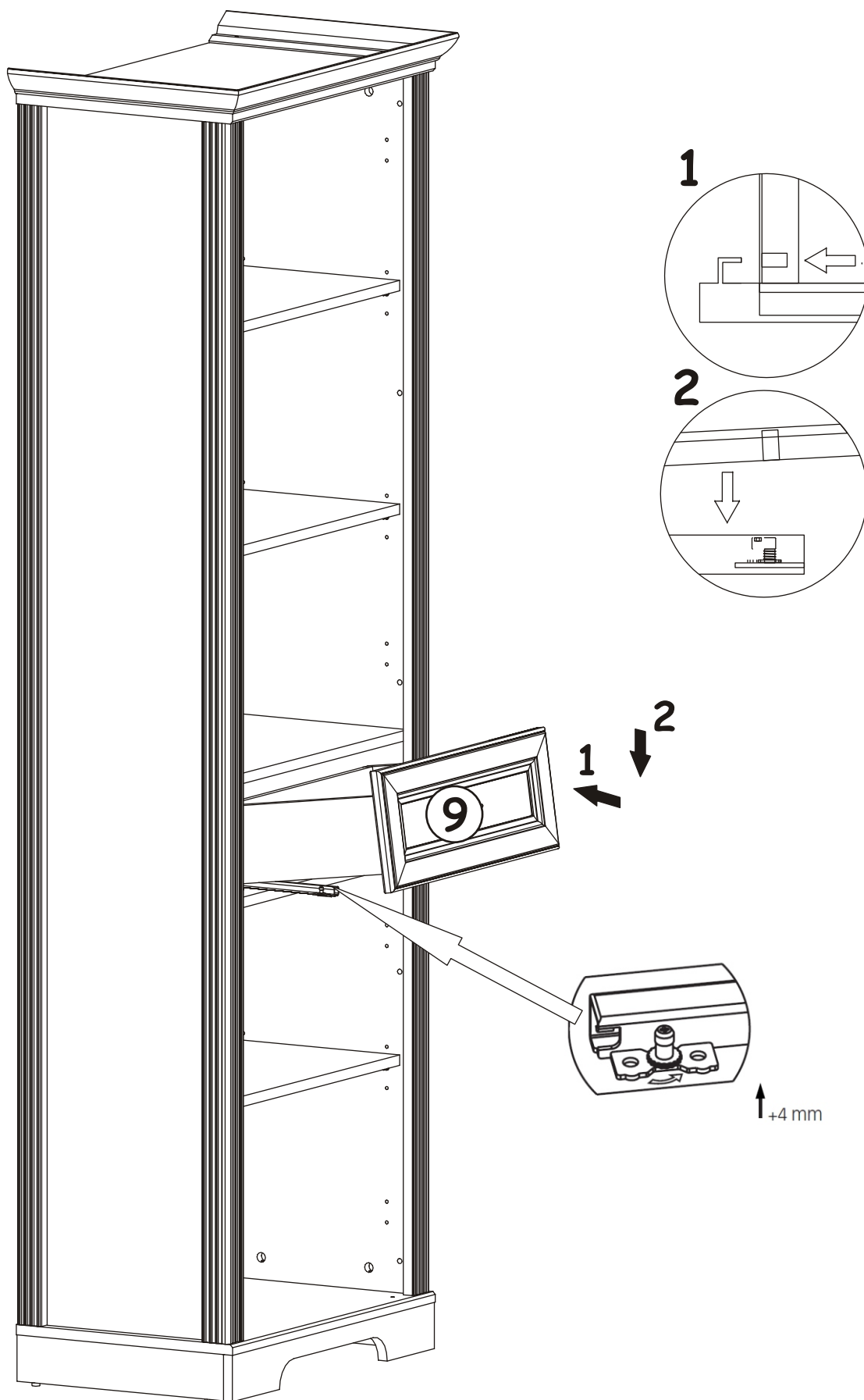
|     |   |
|-----|---|
| S1  |  |
| x16 |   |



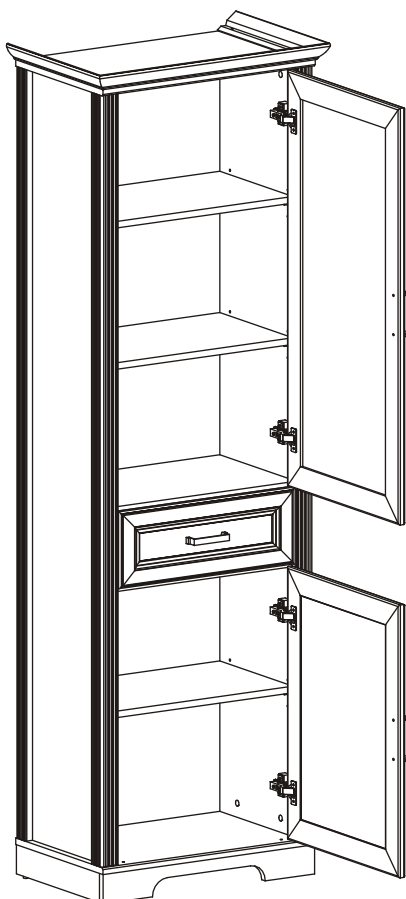
16



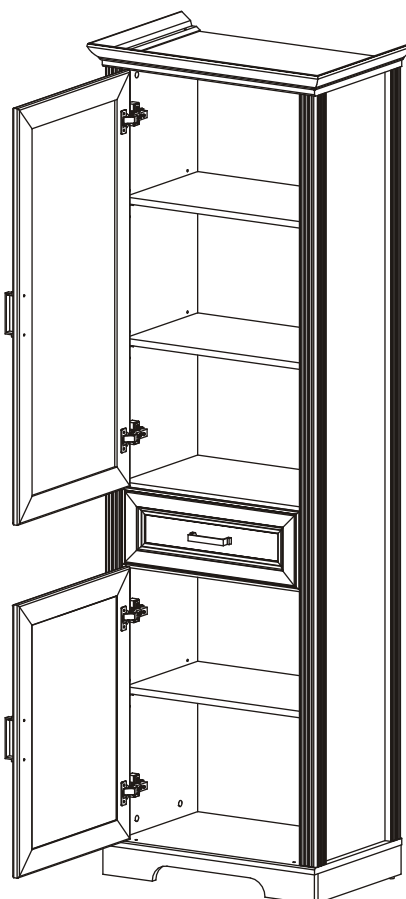
17



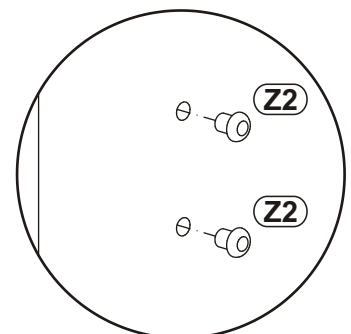
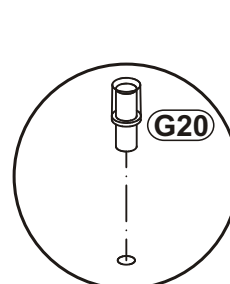
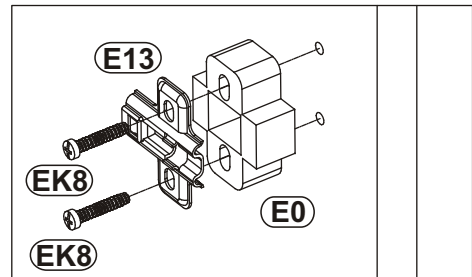
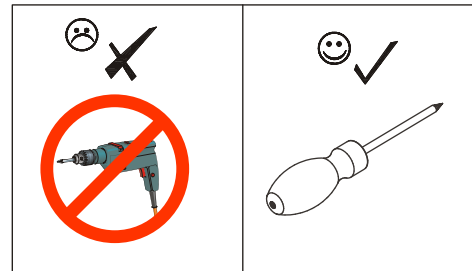
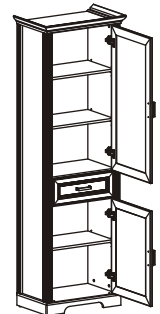
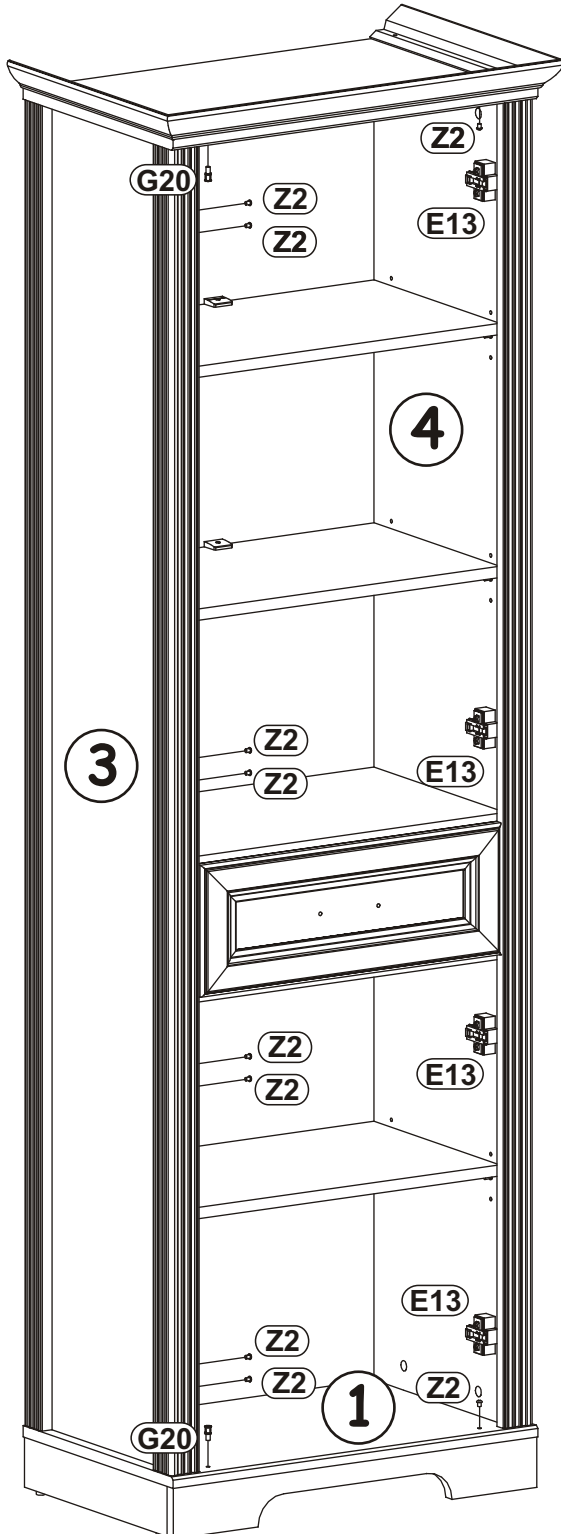
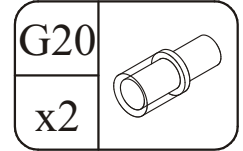
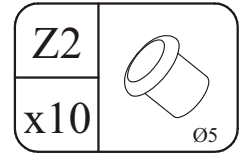
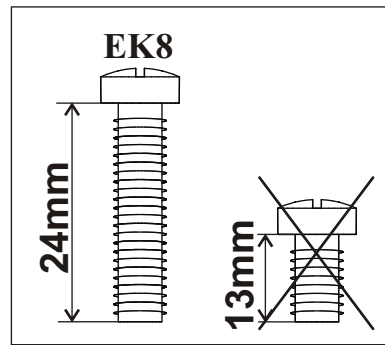
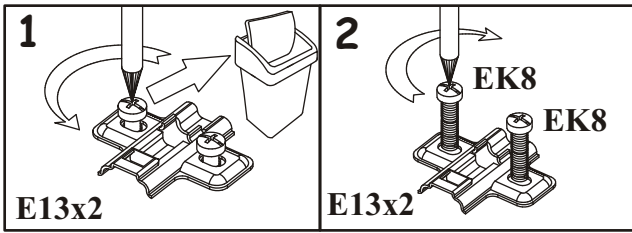
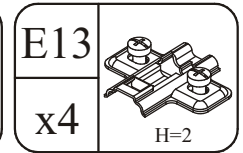
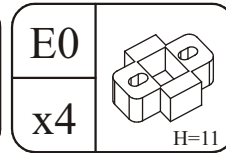
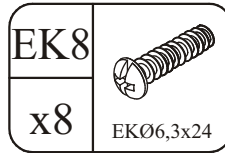
18 - 20



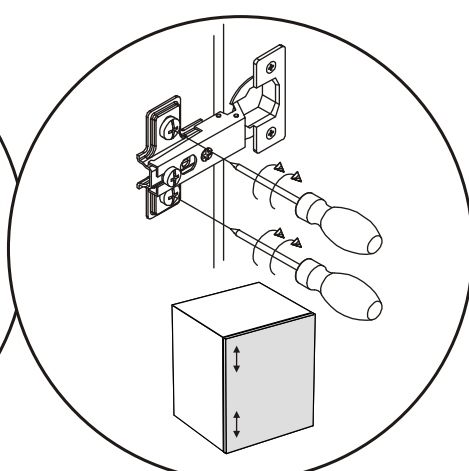
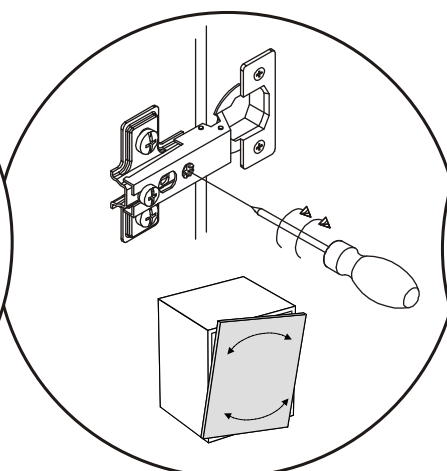
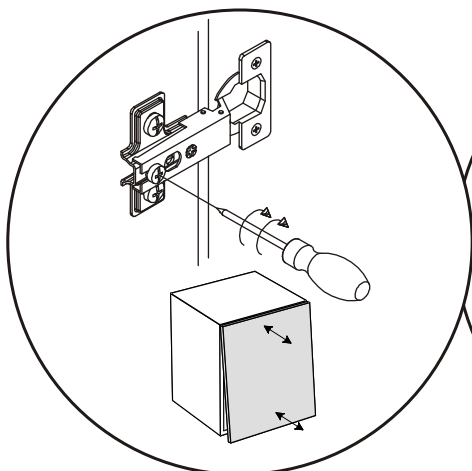
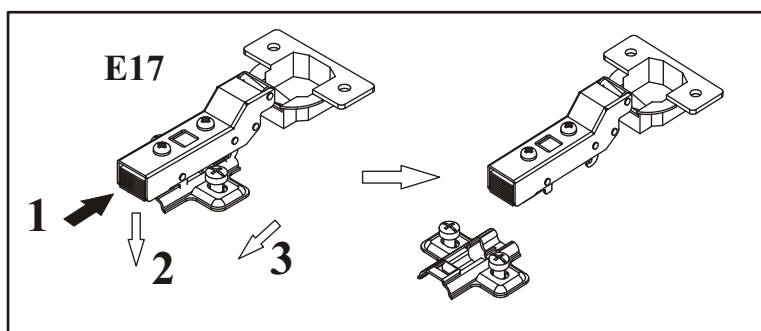
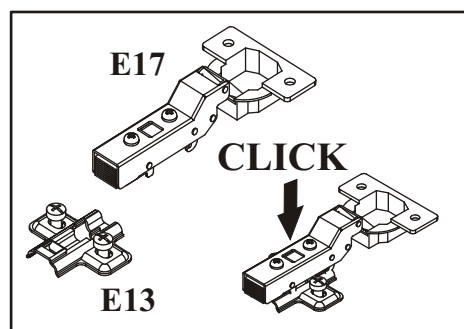
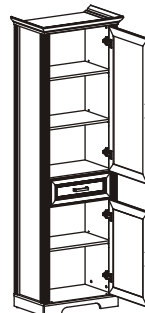
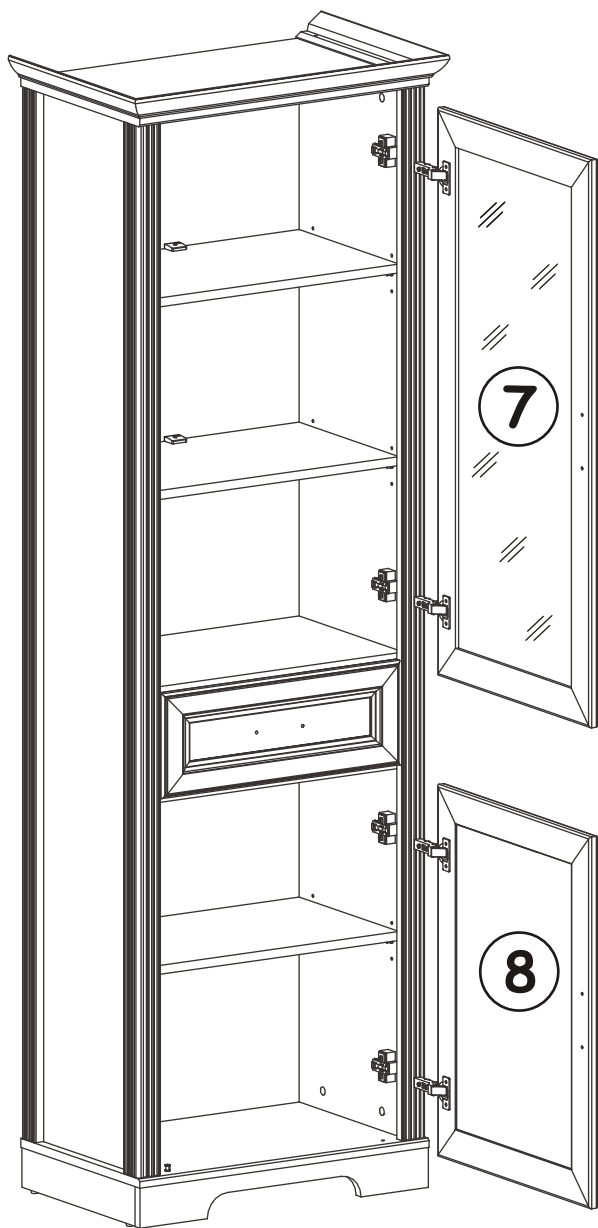
21 - 23



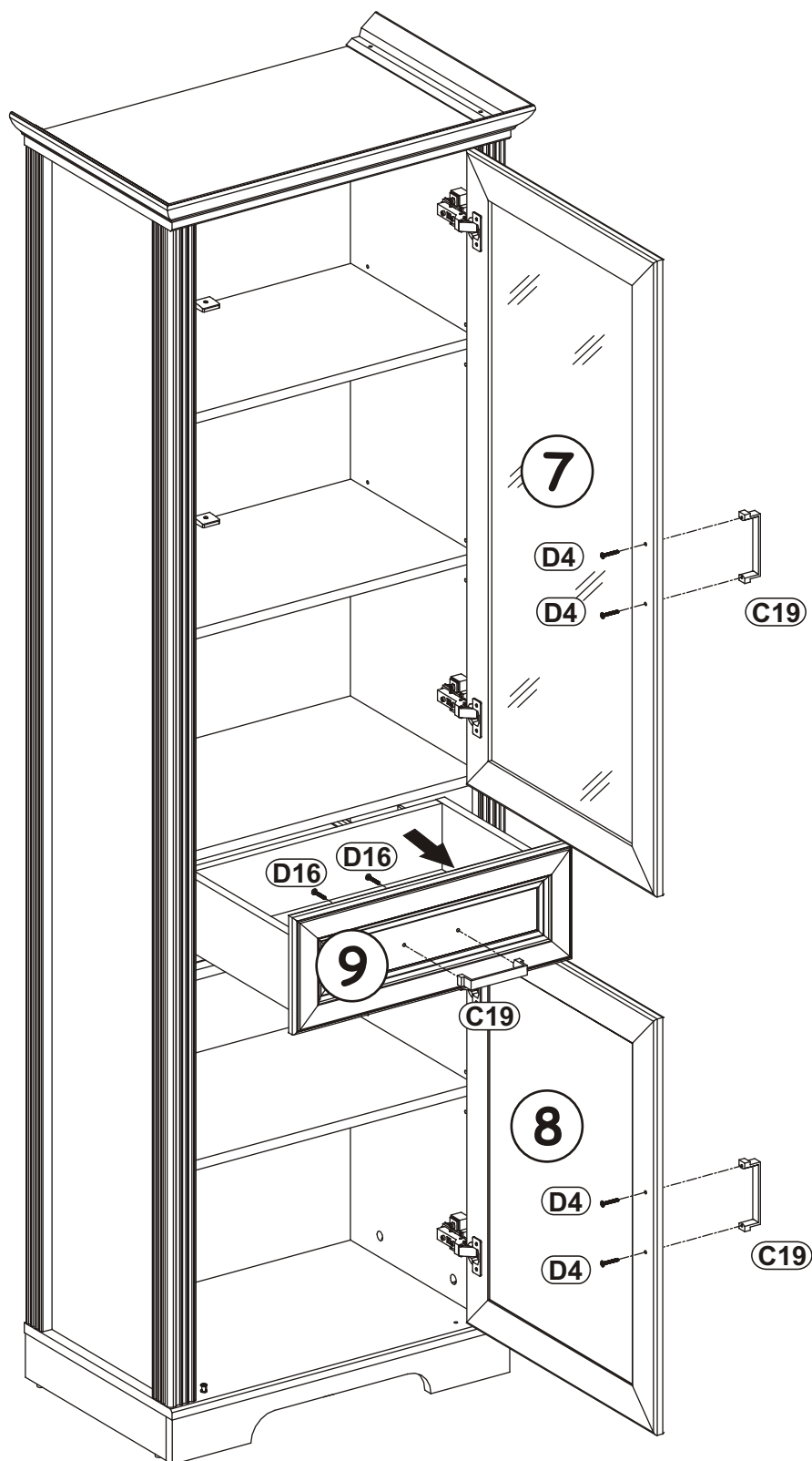
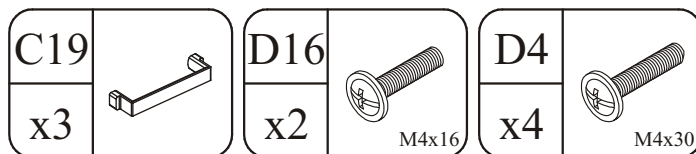
18



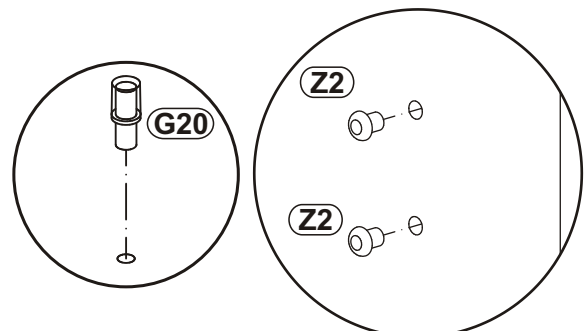
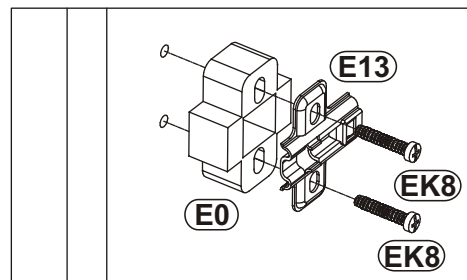
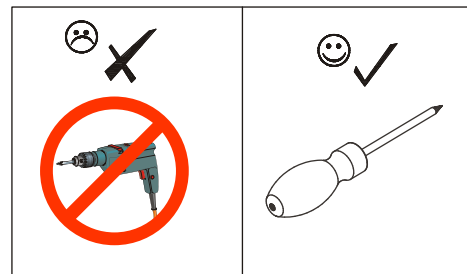
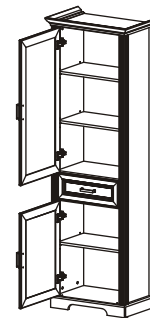
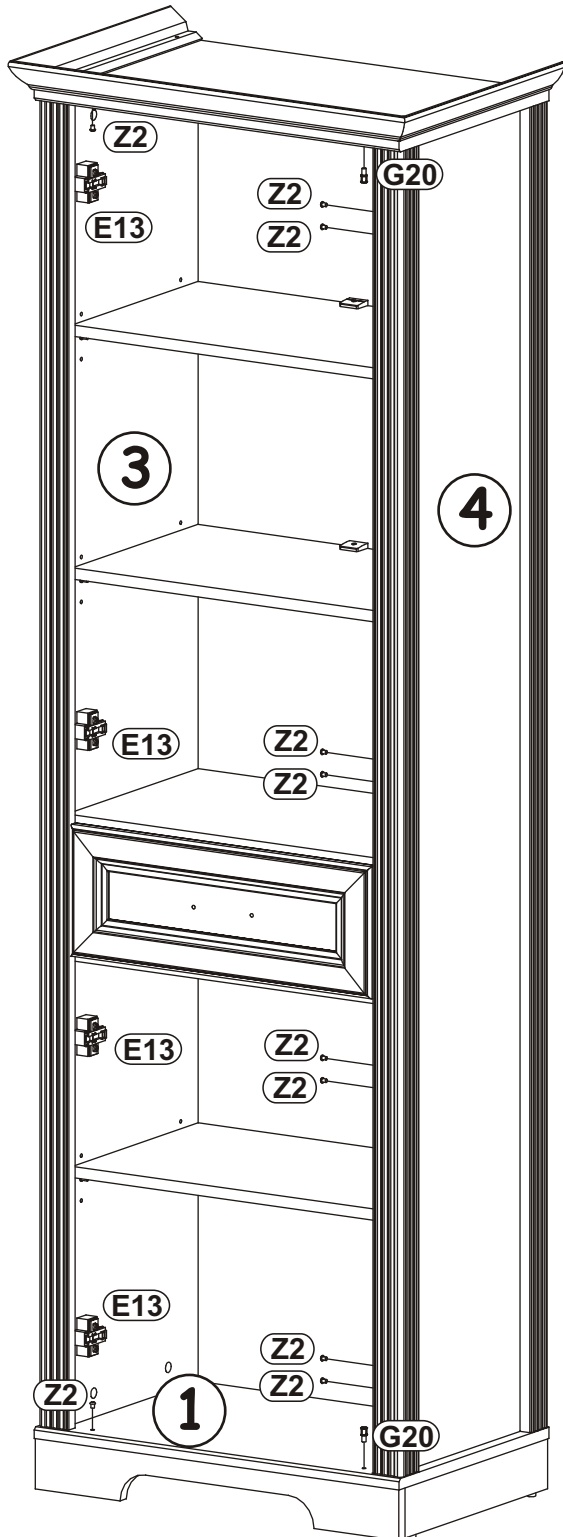
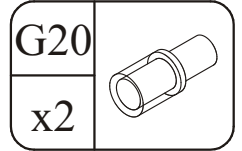
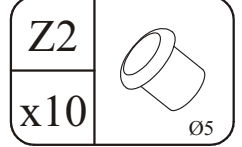
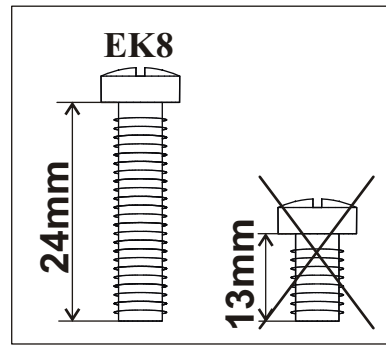
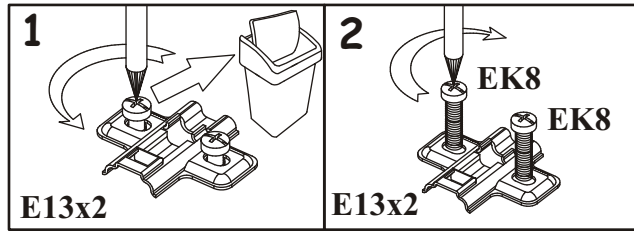
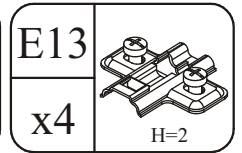
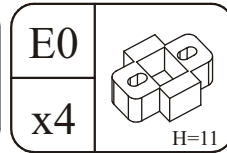
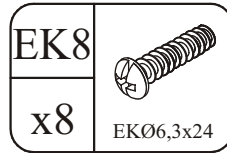
19







21



22

